

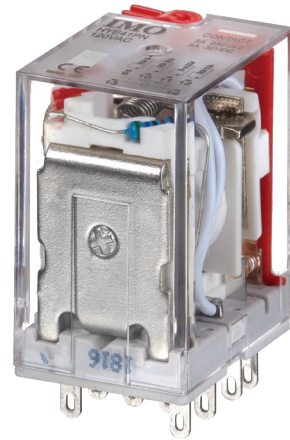
HYE Series

Miniature Intermediate Power Relays

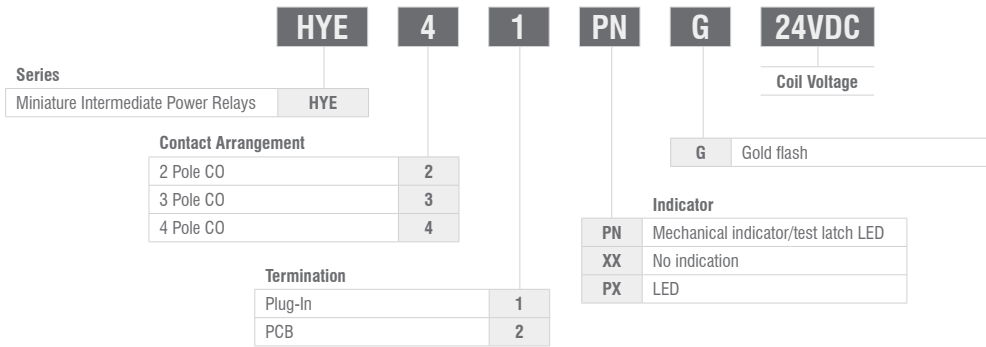


Key Features

- 10A switching capability
- 2kV dielectric strength (between coil & contacts)
- Plug-In or PCB mountable
- Different sockets available
- RoHS Compliant
- 2 to 4 pole configurations
- Outline dimensions: 28.0 x 21.3 x 35.2mm



Options & Ordering Codes



Contact Data

Contact Arrangement	2P / 3P	4P
Contact Resistance	50mΩ max. (at 1A 24VDC)	
Contact Material	AgSnO ₂	
Contact Rating	10A 250VAC / 30VDC	5A 250VAC / 30VDC
Max. Switching Current	10A	5A
Max. Switching Voltage	250VAC / 30VDC	
Max. Switching Power	2500VA / 300W	1250VA / 150W
Mechanical Life	1 x 10 ⁷ ops	
Electrical Life	1 x 10 ⁵ ops	

Coil

Coil Power	DC Type	900mW
	AC Type	1.2VA

Characteristics

Insulation Resistance	1000mΩ (at 500VDC)	
Dielectric Strength	Between Coil & Contacts	1500VAC 1min
	Between Open Contacts	1000VAC 1min
	Between Contact Sets	1500VAC 1min
Operate Time (at nominal voltage)	25ms max.	
Release Time (at nominal voltage)	25ms max.	
Ambient Temperature	-40°C to 70°C	
Humidity	95% RH, +40°C	
Vibration Resistance	10Hz to 55Hz 1.5mm DA	
Shock Resistance	Functional	100m/s ²
	Destructive	1000m/s ²
Termination (8 Pin)	PCB, Plug-In	
Unit Weight	Approx. 37.0g	
Construction	Dust Protected	

Coil Data at 23°C

Nominal Voltage VDC	Pick-Up Voltage VDC	Drop-Out Voltage VDC	Coil Resistance Ω
6	4.8	0.6	40 (1±10%)
12	9.6	1.2	160 (1±10%)
24	19.2	2.4	650 (1±10%)
48	38.4	4.8	2600 (1±10%)
110	88.0	11.0	11000 (1±10%)
220	176.0	22.0	46800 (1±10%)

Nominal Voltage VAC	Pick-Up Voltage VAC	Drop-Out Voltage VAC	Coil Resistance Ω
6	4.8	1.8	12 (1±10%)
12	9.6	3.6	46 (1±10%)
24	19.2	7.2	180 (1±10%)
48	38.4	14.4	780 (1±10%)
110	80.0	30.0	3750 (1±10%)
220	160.0	60.0	12950 (1±10%)
230 / 240	176.0	66.0	18790 (1±10%)

HYE Series

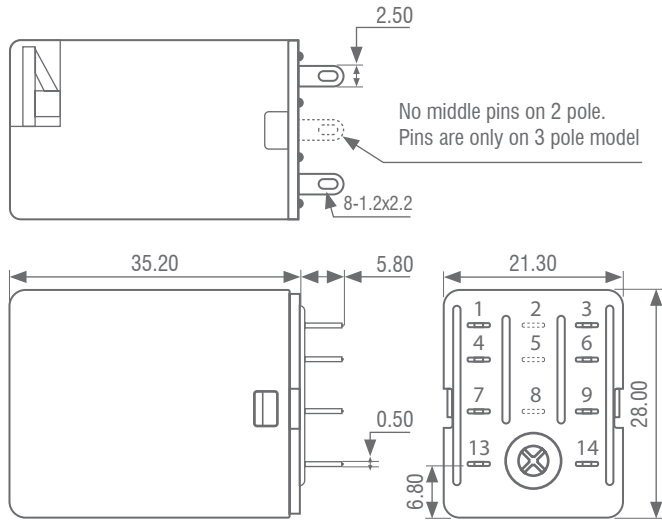
Miniature Intermediate Power Relays



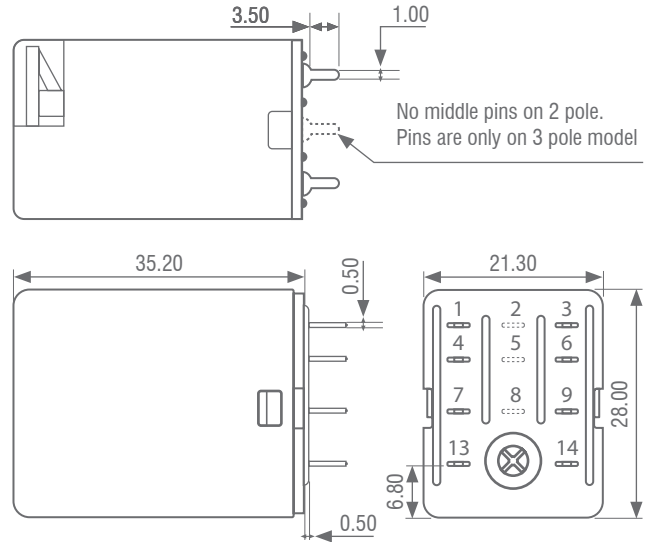
Technical Datasheet

2 & 3 Poles

Plug-in

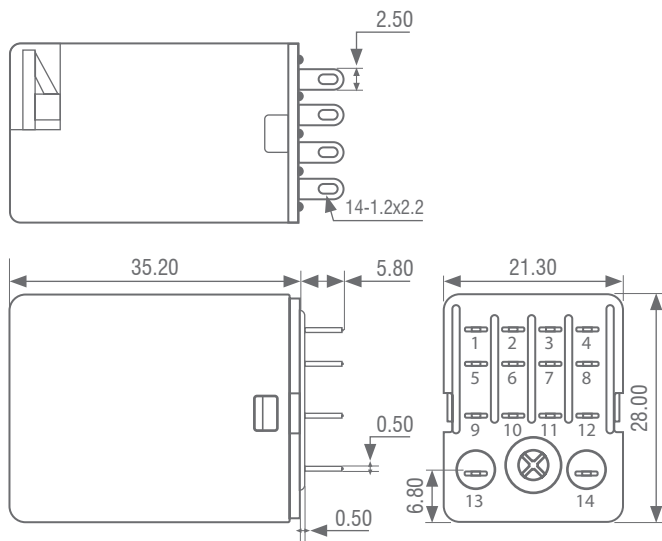


PCB

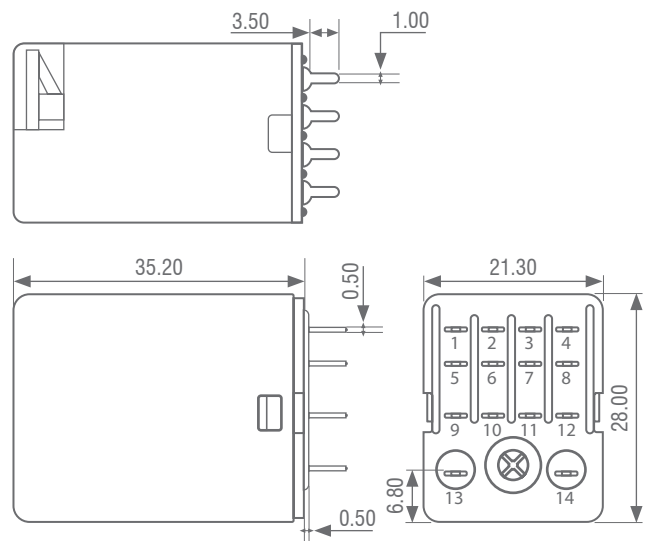


4 Poles

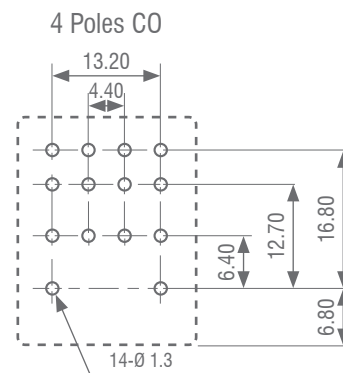
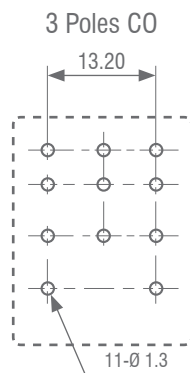
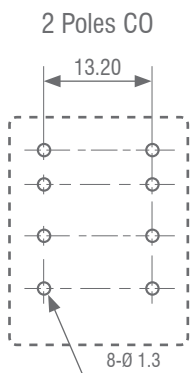
Plug-in



PCB



PCB Layout



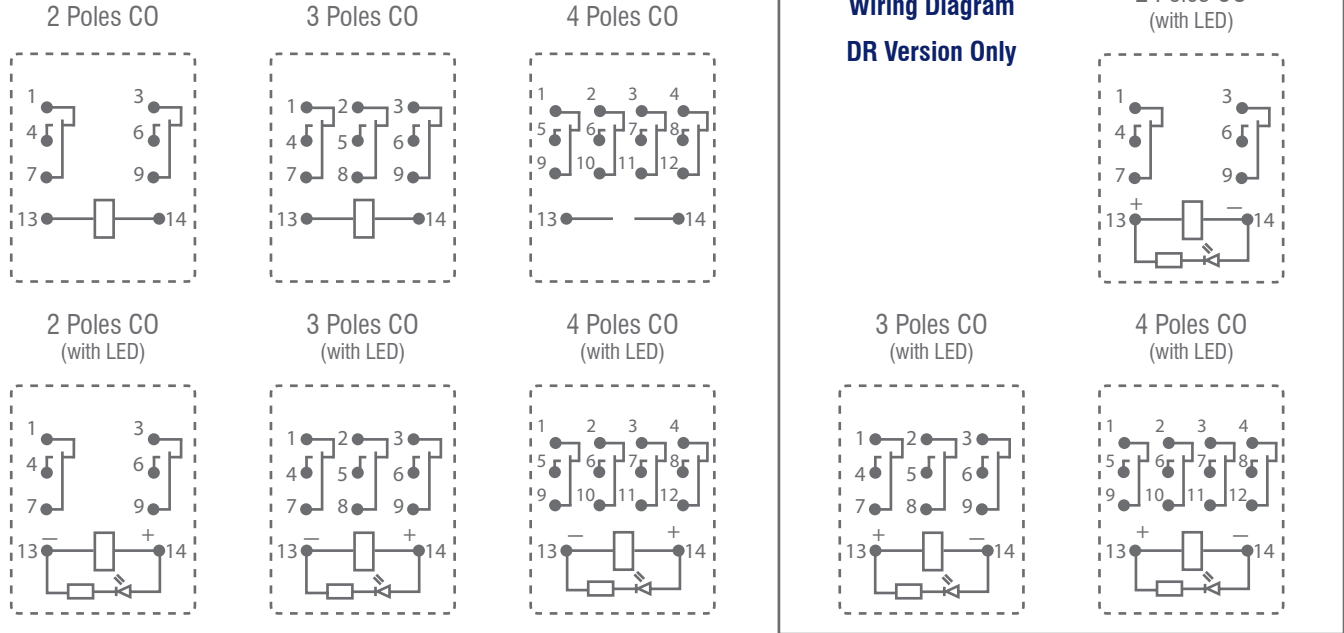
HYE Series

Miniature Intermediate Power Relays



Technical Datasheet

Wiring Diagrams

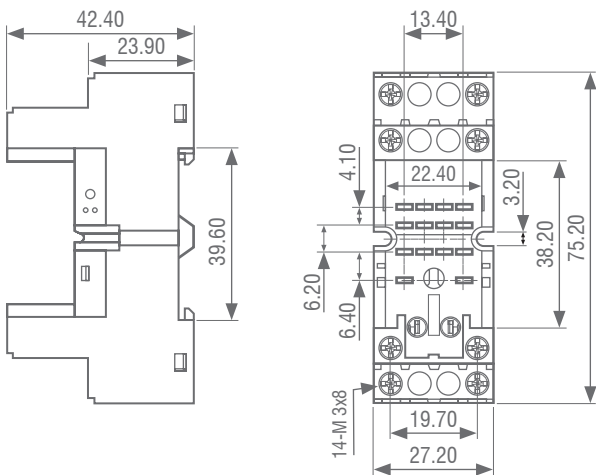


Bases - Dimensions (mm)

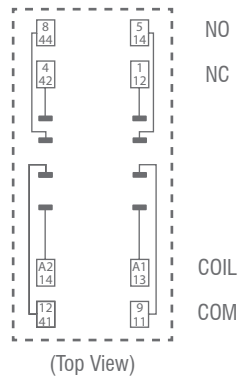
Relay	Base	Nominal Voltage (V)	Nominal Current (A)	Ambient Temperature	Dielectric Strength Min.	Screw Torque (Nm)	Wire Strip Length (mm)
2P	SRNE2-D	300V	10A	-25 to +85°C	2500VAC	0.6	7mm
2P	SRNE2-S	300V	10A	-25 to +85°C	2500VAC	0.6	7mm
3P	SRNE3-C	300V	10A	-25 to +85°C	2500VAC	0.6	7mm
3P	SRNE3-D	300V	10A	-25 to +85°C	2500VAC	0.6	7mm
4P	SRPE4-O	300V	10A	-25 to +85°C	2500VAC	n/a	n/a
4P	SRNE4-C	300V	10A	-25 to +85°C	2500VAC	0.6	7mm
4P	SRNE4-D	300V	10A	-25 to +85°C	2500VAC	0.6	7mm
4P	SRNE4-S	300V	10A	-25 to +85°C	2500VAC	0.6	7mm

SRNE2-D

Plastic retainer provided



Wiring Diagram



Included Accessory

Plastic Retainer Clip

Optional Accessories

Metallic retainer: RCE4-N

Plug-in modules: PDME1 to RPDME1

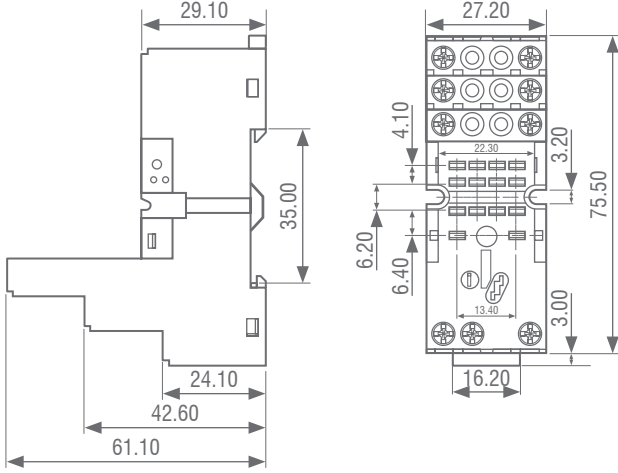
HYE Series

Miniature Intermediate Power Relays

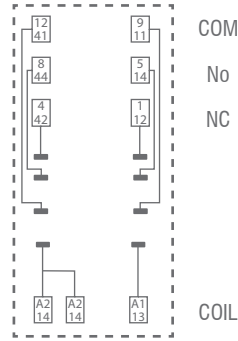


SRNE2-S

Plastic retainer provided



Wiring Diagram



(Top View)



Included Accessory

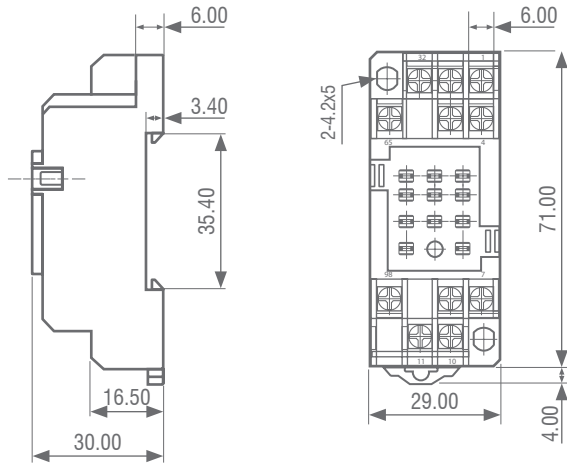
Plastic Retainer Clip

Optional Accessories

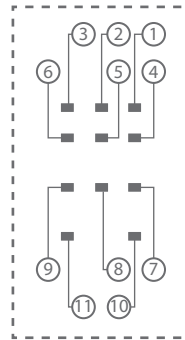
Metallic retainer: RCE4-N

Plug-in modules: PDME1 to RPDME1

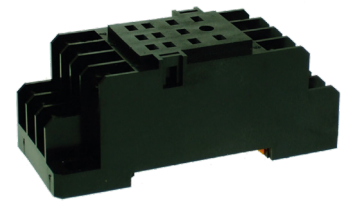
SRNE3-C



Wiring Diagram



(Top View)



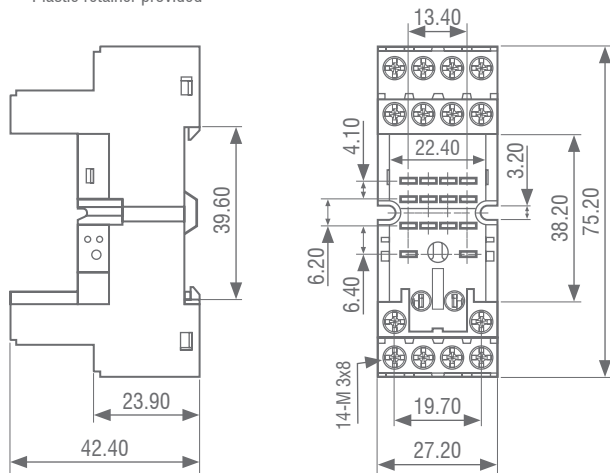
Included Accessory

2 Piece Metal Plastic Retainer Clips

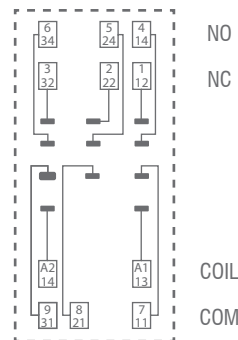
NOTE: Does Not Accept RCE4-N

SRNE3-D

Plastic retainer provided



Wiring Diagram



(Top View)



Included Accessory

Plastic Retainer Clip

Optional Accessories

Metallic retainer: RCE4-N

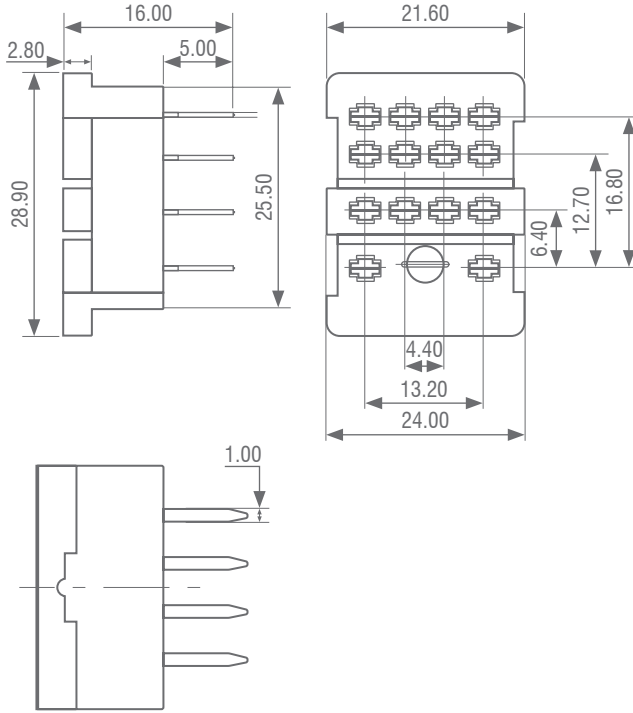
Plug-in modules: PDME1 to RPDME1

HYE Series

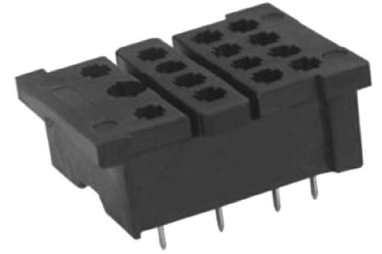
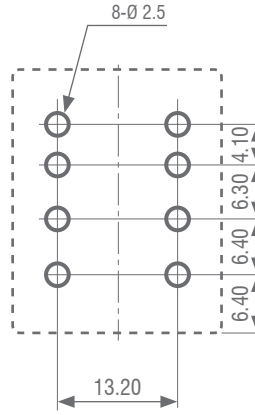
Miniature Intermediate Power Relays

SRPE4-0

Metallic retainer provided



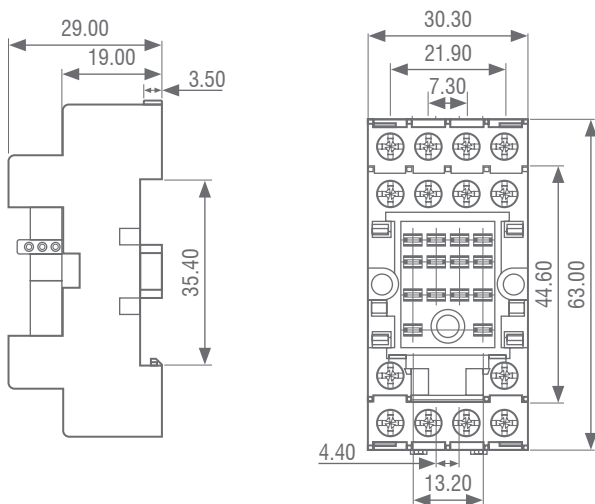
PCB Layout



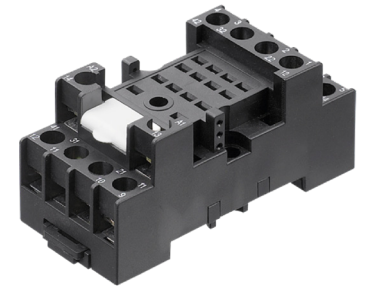
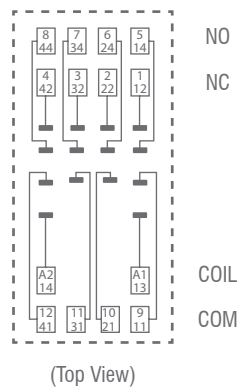
Optional Accessory

Metallic retainer SRC-CLIP

SRNE4-C



Wiring Diagram



Optional Accessory

Metallic retainer RCE4-N

NOTE: Supplied without retaining clip

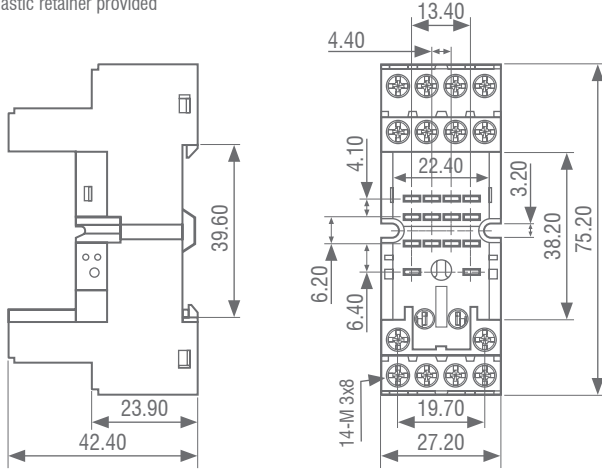
HYE Series

Miniature Intermediate Power Relays

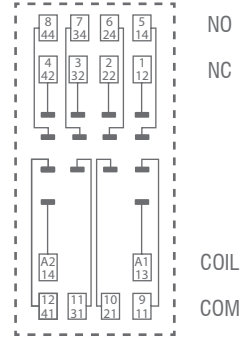


SRNE4-D

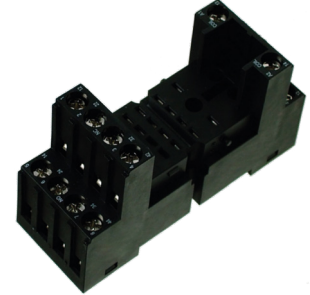
Plastic retainer provided



Wiring Diagram



(Top View)



Included Accessory

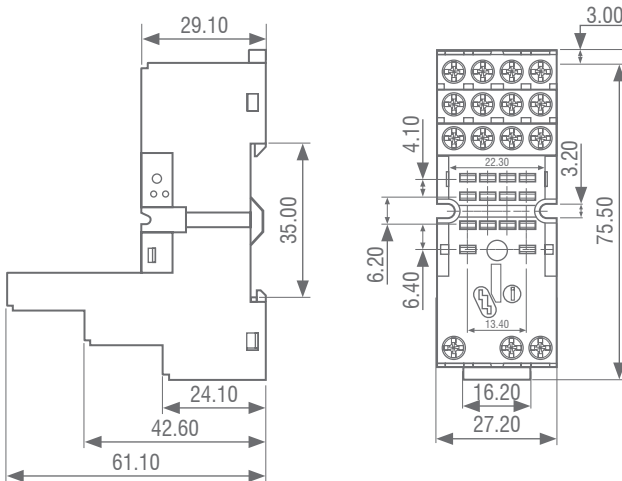
Plastic Retainer Clip

Optional Accessories

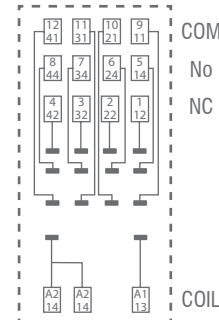
Metallic retainer: RCE4-N
Plug-in modules: PDME1 to RPDME1

SRNE4-S

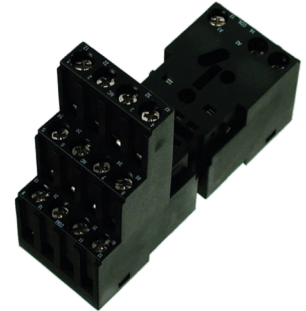
Plastic retainer provided



Wiring Diagram



(Top View)



Included Accessory

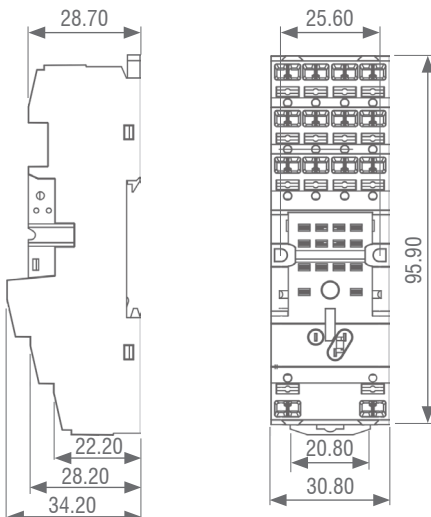
Plastic Retainer Clip

Optional Accessories

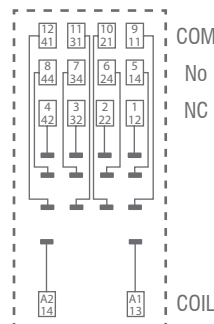
Metallic retainer: RCE4-N
Plug-in modules: PDME1 to RPDME1

PFHYE-S

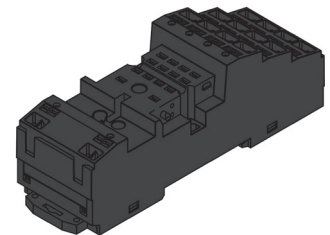
Plastic retainer provided



Wiring Diagram



(Top View)



Included Accessory

Plastic Retainer Clip

Optional Accessories

Plug-in modules: PDLME1 to RPDME1

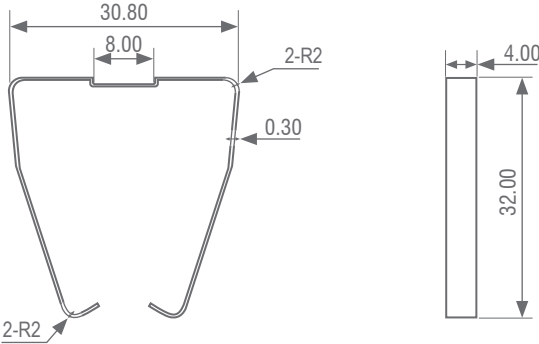
HYE Series

Miniature Intermediate Power Relays

Dimensions of Related Component (mm)

Retainers

SRC-CLIP - For use with SRPE4-0



RCE4-N - Not compatible with SRNE3-C

